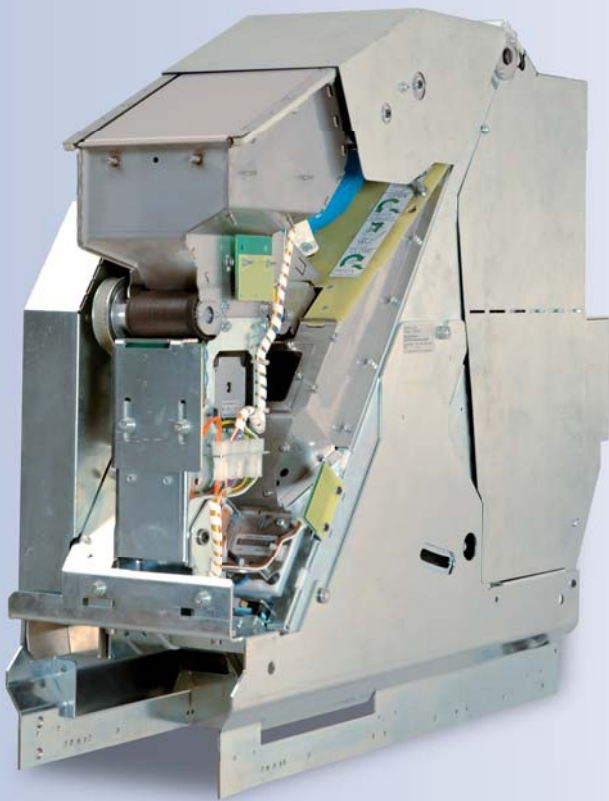


Mass Coin Deposit Modules (OEM-Type) **SCM / DCM**



S&T EPS's OEM Mass Coin Deposit modules are used for the integration to master ATM systems, side-cars or stand-alone deposit systems. They are innovative solutions for real 24 hours-operation in self-service areas. Core technology is the so-called 'Vertical Coin Conveying' system that delivers two benefits: First, there is maximum robustness against any foreign solid body through its patented vertical coin segregation. Second, the modules offer highest coin recognition, which is made sure by two sensors (optical & electronic) part of the all new sensor NT_ACCEPT 2.0. There are two standard Mass Coin Deposit modules: The Single Coin Module (SCM) and the Double Coin Module (DCM).

- 1 PATENTED VERTICAL COIN CONVEYING OFFERS MAXIMUM RELIABILITY**
- 2 WORLDS NO. 1 ROBUSTNESS AGAINST FOREIGN BODIES**
- 3 FALSE & FOREIGN COIN RECOGNITION CERTIFICATED BY ECB BANKS**
- 4 MAY BE UPGRADED TO COIN TREATMENT ACC. TO ART. 6. EC 1338/2001**
- 5 EXTREME COMPACT DIMENSIONS**



The patented 'Vertical Coin Conveying' provides maximum robustness against foreign solid bodies because of non chaotic coin segregation which works against gravity. There is an upgrade-option for coin treatment according to Art. 6. EC 1338/2001.

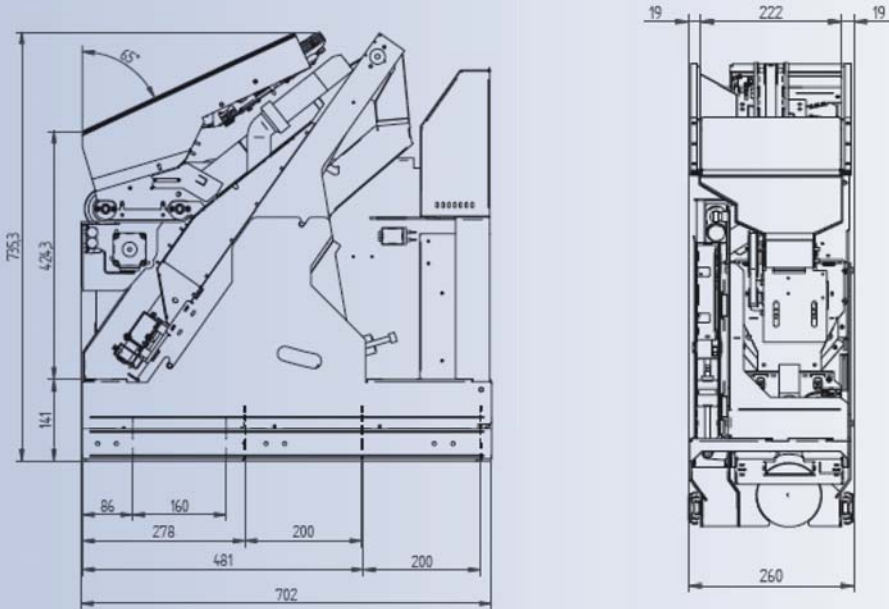
The optoelectric sensors for coin recognition of the all new NT_ACCEPT 2.0 identify 100% of all present counterfeit coins according to European Union's OLAF. To a certain extend, it also includes the examination of thickness and knurling of the coin. In addition, there is a electro-magnetic alloy scanning.

S&T Electronics and Payment Systems GmbH

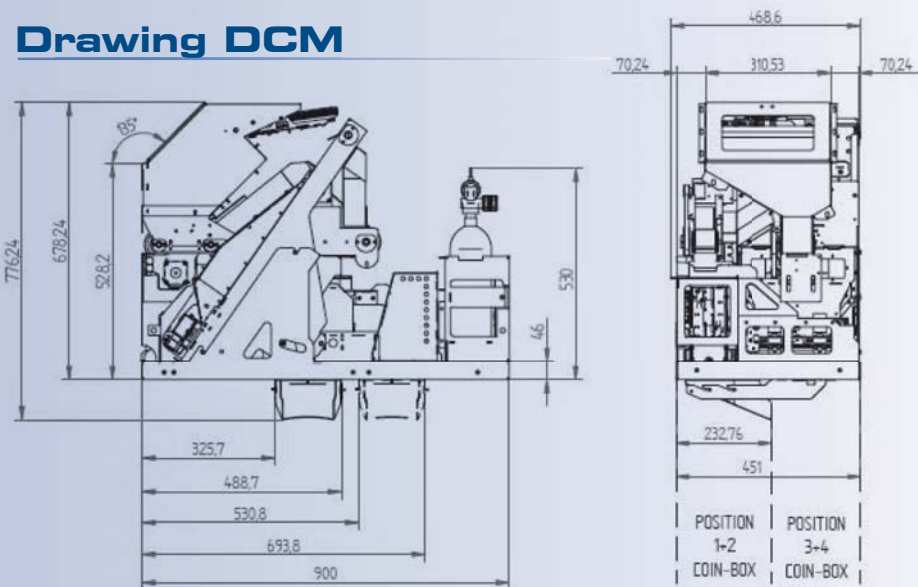
Freistädter Str. 38 | A-4209 Engerwitzdorf

Tel. +43 (0) 7235-64 888-0 | Fax +43 (0) 7235-64 888-16 | office@snt-eps.at | www.snt-eps.at

Drawing SCM



Drawing DCM



Technical Data

- 1 Number of vertical conveyors
- 2 Counting Speed
- 3 Escrow Capacity
- 4 Capacity coin insert funnel
- 5 Number of coin filling containers
- 6 Coin dimensions
- 7 Autom. sensor-cleaning system
- 8 Voltage
- 9 Power Consumption
- 10 Connection
- 11 Dimensions (W x D x H)
- 12 Weight (approx.)
- 13 Software included

SCM

- 1 1 conveyors
- 2 < 500 coins per minute
- 3 < 1.300 coins (5,5 kg approx) *
- 4 < 2.500 coins *
- 5 2 containers
- 6 Diameters from 16 to 32 mm
Thickness between 1,25 to 4 mm
- 7 compressed air > 6 bar for cleaning coin recognition sensors
- 8 110 or 230 V
- 9 150 W
- 10 RS 232
- 11 260 x 702 x 753 mm
- 12 40 kg
- 13 Licensed XML-layer, Firmware, component engines, teach- and service tool, EUR coin recognition software, other currencies licenses available.

DCM

- 1 2 conveyors
- 2 < 1.000 coins per minute
- 3 < 1.600 coins (7 kg approx) *
- 4 < 4.500 coins *
- 5 4 containers
- 6 Diameters from 16 to 32 mm
Thickness between 1,25 to 4 mm
- 7 compressed air > 6 bar for cleaning coin recognition sensors
- 8 110 or 230 V
- 9 150 W
- 10 RS 232
- 11 451 x 900 x 776 mm
- 12 70 kg
- 13 Licensed XML-layer, Firmware, component engines, teach- and service tool, EUR coin recognition software, other currencies licenses available.

* EURO-coin mix